

Foam Wheeled Fire Extinguisher L 50

Cod. 14226.00000.xx00 highest rate achieved - A IVB

xx: defines label language

Approvals: EN 1866-1:2008 nr 2013-F-5597/ABS 10 and 2014/90/UE nr MED/0497/138



Organic solid materials,
wood rubber, textiles etc.



Flammable liquids,
gasoline, oil etc.

Cylinder

The cylinder is manufactured according to EN1866-2 and the Directive 2014/68/EU (PED).

Cylinder is made of AISI304 polyester powder painted with all accessories welded on the main cylinder.

The solid wheel Ø300mm is made by two components, rubber hardness 80 shore and PP/C.

2" handwheel

Headcap nickel plated brass with safety valve certified to the 2014/68/EU (PED).

Pressure gauge

Pressure gauge is made of nickel plated brass with thread M10x1 and o-ring for easy unscrew to check the real internal pressure any time without need of tools.

Discharge device

EPDM rubber hose 5mt with a brass ball valve and an aluminium nozzle. On request hose with length up to 10mt. NOT to be used on Live Electrical Equipment

Extinguishing agent

Sealfire® X-30 it is a freeze protected premixed agent -30°C suitable for A and B fires. Developed especially for use in fire extinguishers, Sealfire X-30 has the ability to form an aqueous film that flows quickly over water-insoluble hydrocarbon fuel surfaces, causing rapid fire knockdown, vapour suppression.

Advantages

- Very mobile and easy to operate
- Excellent quality, therefore a long operational lifetime
- Good ergonomics, easy to drive
- Extremely high ratings on A, B fires (solid combustibles, liquid fuels)
- Can be used at low temperatures -30°C.
- Easy to service
- Certified EN 1866-1 and 2014/68/UE

Swivel coupling
It allows easy unrolling of the hose avoiding twisting



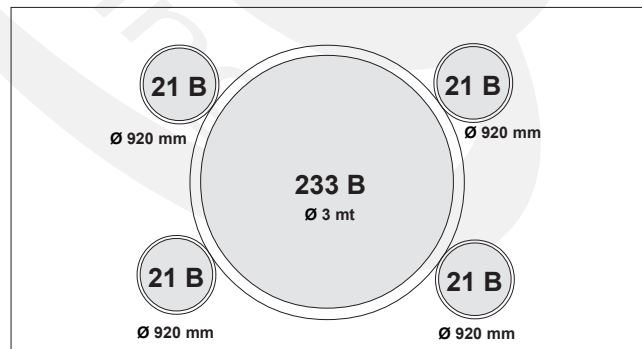
Permanent stored pressure



Stainless Steel Cylinder

- Test method and result -

The 233B tray has been used and four 21B trays have been installed alongside, as from the following design.



The propellant used has been heptane.
The test result was positive.

Classification obtained: **A IV B**

Maximum rating available on EN 1866-1



14226

Technical specifications

Cylinder "Ø" : **315 mm**
 Material : **AISI 304**
 Operating pressure : **13 bar a 20°C**
 Test pressure according PED : **30 bar**
 Burst pressure : **>55 bar**
 Temperature range : **-30°C +60°C**
 Extinguishing agent : **52.5% Sealfire®X-30**
 Propellant : **nitrogen or dry air**

Nominal charge : **50 lt**
 Discharge time ~ : **59 sec**

Dimensions

Height : **~1115 mm**
 Width : **~ 470 mm**
 Depth : **~ 550 mm**
 Weight ~ : **80 kg**

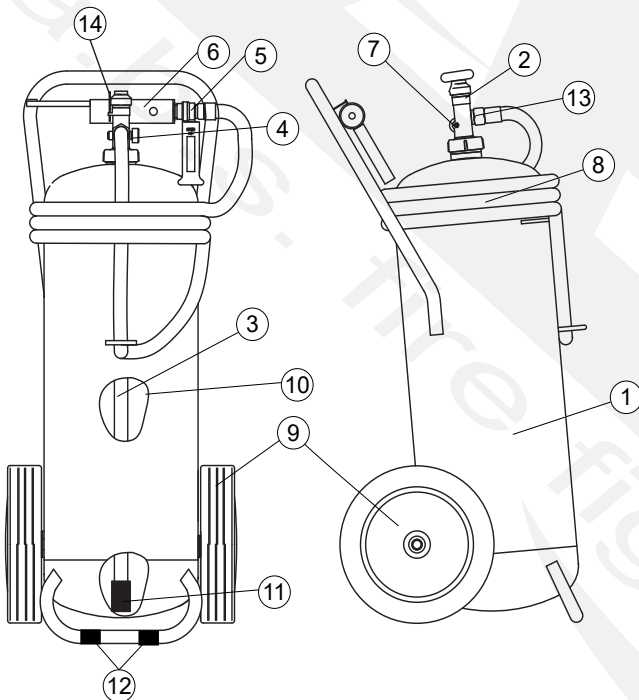
Complete replacement spare parts

31303_17 Including:

Sealfire, O-ring 2" and 4", washer rings, filter+coupling, safety seal.

The SOLAS Convention Chapter II-2 part C lays the obligation of the provision of replacement spare change for the 100% for the first 10 extinguishers installed, while the remaining fire extinguishers are needed the 50% of the replacement spare. The maximum quantity of refills shown are 60.

Spare part list



Pos.	Description	Code	Q.ty
1	Cylinder (lt 64) Stainless steel	27820_1_V	1
2	Handwheel valve brass	21820	1
3	Siphon tube PVC	21737	1
4	Manometer M10x1 Ø 23 mm Bourdon	21534	1
5	Turning valve brass 3/4"	66030	1
6	Foam nozzle light alloy	21006	1
7	Safety device (in 3 pieces)	21083_1	1
8	Discharge hose L 5 mt On request hose L 10 mt	20649 20649_1	1
9	Ø 300 mm wheels rubber and plastic	21931	2
10	Sealfire X-30 26.25L	21178	1
11	3/4" Filter + coupling	83011 + 20024	1
12	Cap for protection foot cylinder	28072	2
13	Washer ring teflon 3/4" - 13x24x2	20049	1
14	Safety pin	21089	1

Detachable frame
 No welding on the cylinder ensure better and higher safety.



Welded frame.
 The axe and carrying handle are welded on the cylinder body.



The family **14226** include more than one type of version.
14226_1 - Detachable frame - **Stainless steel cylinder.**
14226_2 - Welded frame - Cylinder painted inside.
14226_3 - Detachable frame - Cylinder painted inside.
In accordance with the Directive 2014/90/UE by the SOLAS 74 convention and EN 1866-1:2007.

The use of non original spare parts may cause malfunctions loss

Maintenance and Guarantee

Maintenance must be made periodically by, trained and certified staff, according to the local regulations of the country where it is located. The extinguisher is guaranteed for 12 months from the date of the supply. The guarantee includes, repairing or replacement, as manufacturer option. Unit must be sent back to the factory free of charge, only when authorized written agreement with our sales office has been reached. The guarantee expires in case of tampering and bad maintenance made by not-authorized staff, or transport damages. It must be recharged only by staff authorized and certified by **a.b.s. S.r.l.**, use only genuine original spare parts.



Technical data are subject to modification for improvements without prior notice

Data Sheet	Code	Date	Check	Rev	Pag.
Fire Extinguisher	14226	18/09/20	JC	2/AL	2/2