

14134 Powder Wheeled Fire Extinguisher kg 25

Approved EN 1866-1:2008, Marina MED, highest rate achieved - A IVB C



CSI Certificate
MED/0497/127/09



Organic solid materials,
wood rubber, textiles etc.



Flammable liquids,
gasoline, oil etc.



Flammable gases,
methane, propane.

According directive 96/98/EC, EN 1866 and with CE-mark

The wheeled fire extinguisher is manufactured according to Directive 96/98/EC (MED) with modules B and D. As with portable extinguishers, wheeled units also have to comply with high standards to ensure their extinguishing capability (fire rating), quality and reliability. We at a.b.s. know how important it is to make the right choice in fire fighting. Recently, a new European standard for wheeled extinguishers, EN 1866, was introduced.

The a.b.s. wheeled extinguisher range, has been the first in Europe to comply with this standard.

The wheeled units also carry the CE mark so the range can boast three quality guarantees :a.b.s. (ISO 9001), compliance with EN 1866 and the CE mark.

The standard EN1866 defines important minimum levels of pressure retention, corrosion protection, operating temperatures and fire rating.

Technical Characteristics

Wheeled extinguisher is designed for professional use under severe circumstances, resulting in a high level of quality and ease of use.

The cylinder, CE marked, it has the welded frame or detachable frame.

Ease of mobility is achieved as a result of the large wheels with solid rubber tyres and push bar also ensuring good stability during operation.

Headcap 2" BSP

The headcap is made of brass and equipped with a spring loaded safety valve to prevent an unsafe situation, as a result of overfilling or during accidental unscrewing from the cylinder neck gear.

Discharge device

Equipped with a highly flexible hose made in EPDM rubber with an excellent resistance manufactured from selected synthetic materials complete with a pistol.

The specially designed ergonomic patented pistol ensures a steady flow of powder with a very low drop in pressure.

Propellant bottle

The carbon dioxide bottle, chromemolybdenum carbon steel, is made according to directive EN 1964-1 ECC.

Before painting it is cleaned by sand blasting thus ensuring a raw surface for a perfect and strong grasp of the epoxy polyester powder coating.

This red RAL 3000 u.v. repellent is resistant to scratches and knocks as well to corrosive weather conditions. It is delivered complete with a brass handwheel valve and safety valve.

Extinguishing agent

Dry chemical powder German is produced according to EN 615 and ISO 9000 quality control.

The basic components of dry powder are ammonium phosphate and ammonium sulphate with special silicone additives enabling easy discharge and avoiding any caking process.

Dry powder is non-corrosive, non-abrasive, and is non toxic for humans and animals.

Cartridge operated



ON REQUEST

Discharge pistol with 3/8" swivel coupling.



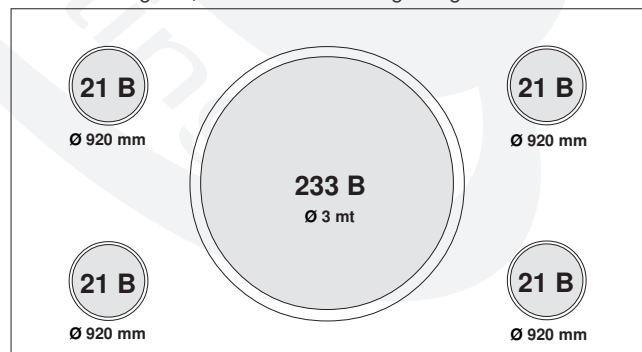
Cod. 21035_1
It allows easy unrolling of the hose avoiding twisting

Advantages

- Very mobile and easy to operate
- Excellent quality, therefore a long operational lifetime
- Good ergonomics, easy to drive
- Extremely high ratings on A, B and C class fires (solid combustibles, liquid fuels and gases)
- Can be used at low temperatures (-30°C)
- Easy to service
- First in Europe in accordance with the new EN 1866 standards
- With CE approval
- Other dry powder types available (BC, Monnex)

- Test method and result -

The 233B tray has been used and four 21B trays have been installed alongside, as from the following design.



The propellant used has been heptane.

Two fire tests have been performed, with extinction time of respectively 9 and 10 seconds; the test result was positive.

Classification obtained: - **EN 1866 - 233 IV B** - the highest.

Technical specifications

Cylinder "Ø".....	: 245 mm	Nominal charge.....	: 25 Kg
Material.....	: DD12 UNI EN 10111	Discharge time ~.....	: 25 sec
Operating pressure.....	: 14 bar at 20°C	Jet length ~	: 11 m
Test pressure according 97/23/EC.....	: 30 bar	Dimensions	
Burst pressure.....	: >55 bar	Height ~.....	: 1020 mm
Temperature range.....	: -30°C +60°C	Width ~.....	: 430 mm
Extinguishing agent.....	: Powder MAP ABC 30	Depth ~.....	: 535 mm
Propellant.....	: (1.3 kg CO2)	Weight ~.....	: 53 kg

The weight of the fire extinguisher can change depending on versions.

Complete replacement spare parts

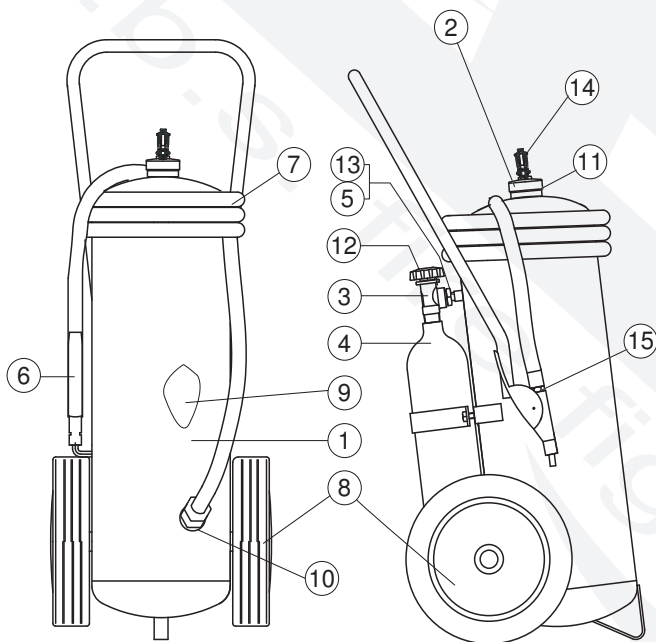
31302_5 Including:

Powder ABC, 3 lt CO2 cylinder, O-ring 2" and 4" washer rings, safety seal.

The SOLAS Convention Chapter II-2 part C lays the obligation of the provision of replacement spare change for the 100% for the first 10 extinguishers installed, while the remaining fire extinguishers are needed the 50% of the replacement spare. The maximum quantity of refills shown are 60.

Spare part list

Pos.	Description	Code	Q.ty
1	Cylinder (lt 33) on request Stainless steel	27704	1
2	Brass cap 2"	21034_1	1
3	Handwheel valve	21802	1
4	3 lt CO2 cylinder PED-CE	20211	1
5	Adaptor for CO2 cylinder	20007_1	1
6	Discharge pistol	21035	1
7	Discharge hose L 5 mt On request hose L 10 mt	20640 20640_1	1
8	Ø 300 mm wheels rubber and plastic	21931	2
9	Powder ABC MAP 30%	31130	25
10	Washer ring fibre 3/4" - 15,2x24x2	20021	1
11	Washer black rubber 2" - 56x41x3	20022	1
12	Safety pin	21018	1
13	Washer ring teflon 11x19x2	20021_1	1
14	Safety valve CE 1/4"	28024	1
15	O-ring Ø 2,62x13,1x18,34	21055	1



Detachable frame
 No welding on the cylinder ensure better and higher safety.

Welded frame.
 The axe and carrying handle are welded on the cylinder body.

OPTIONAL
 Large cap 4" with 1/4" safety valve, vent valve, gauge.

STANDARD
 2" cap with 1/4" safety valve.



The family 14134 include more than one type of version.
 14134_1 - Cap 4" welded frame
 14134_2 - Cap 4" detachable frame
 14134_5 - Cap 2" detachable frame - **Stainless steel cylinder**
 14134_7 - Cap 2" detachable frame
In accordance with the Directive 96/98/EC by the SOLAS 74 convention, resolutions and circulars of the IMO, EN 1866-1:2007 on the Annex A.1/3.52 Directive 2008/67/CE of the certificate and Notified by CSI SpA - No 0497.

The use of non original spare parts may cause malfunctions loss

Maintenance and Guarantee

Maintenance must be made periodically by, trained and certified staff, according to the local regulations of the country where it is located. The extinguisher is guaranteed for 12 months from the date of the supply. The guarantee includes, repairing or replacement, as manufacturer option. Unit must be sent back to the factory free of charge, only when authorized written agreement with our sales office has been reached. The guarantee expires in case of tampering and bad maintenance made by not-authorized staff, or transport damages. It must be recharged only by staff authorized and certified by **a.b.s. S.r.l.**, use only genuine original spare parts.