

Powder Wheeled Fire Extinguisher kg 25

Cod. 14134.00000.xx1y highest rate achieved - A IV B C

xx: defines label language, y: Model variant

Approved EN 1866-1:2008 nr 1427-2009 and 2014/90/UE nr MED/0497/128



Organic solid materials,
wood rubber, textiles etc.



Flammable liquids,
gasoline, oil etc.



Flammable gases,
methane, propane.

CYLINDER

The cylinder is manufactured according to EN1866-2 and the Directive 2014/68/EU (PED).
Cylinder is made of carbon steel polyester powder painted.
The most compact model with all accessories welded on the main cylinder
The solid wheel Ø300mm is made by two components, rubber hardness 80 shore and PP/C

2" CAP WITH SAFETY VALVE

Headcap nickel plated brass with safety valve certified to the 2014/68/EU (PED).

PROPELLANT BOTTLE

Nitrogen N2 steel bottle, black painted, certified to 2010/35/UE (T-PED). Handwheel brass valve certified to the 2014/68/EU (PED), with safety device.

DISCHARGE DEVICE

EPDM rubber hose 5mt with a polyamide PA6 squeeze pistol.
On request hose with length up to 10mt. (code 00.170T.2350.03).

ON REQUEST

Discharge pistol with 3/8" swivel coupling (code 21035_1).

It allows easy unrolling



EXTINGUISHING AGENT

Dry chemical ABC powder manufactured in EU and certified according to EN 615.
Basic components of ABC dry powder are ammonium phosphate and ammonium sulphate with special silicone additives

ADVANTAGES

- Very mobile and easy to operate
- Excellent quality, therefore a long operational lifetime
- Easy to service
- Good ergonomics, easy to drive
- Extremely high ratings on A, B and C class fires (solid combustibles, liquid fuels and gases)
- Can be used at low temperatures (-30°C)
- CE and EN1866-1 Approval



Made in Italy



TEST METHOD AND RESULT

The 233B tray has been used and four 21B trays have been installed alongside, as from the following design.



The propellant used has been heptane.
The test result was positive.

Classification obtained: **A IV B C**
Maximum rating available on EN 1866-1



Powder Wheeled Fire Extinguisher kg 25

Cod. 14134.00000.xx1y highest rate achieved - A IVB C

xx: defines label language, y: Model variant

Approved EN 1866-1:2008 nr 1427-2009 and 2014/90/UE nr MED/0497/128



Technical specifications

Cylinder "Ø" [mm]:	245	Temperature range [°C]	-30 + 60
Material:	DD2 UNI EN 10111	Extinguishing agent:	Furex ABC30
Operating pressure [bar]:	14 at 20°C	Propellant 2L filled:	140 bar N ₂
Test pressure [bar]:	30	Nominal charge [kg]:	25
Burst pressure [bar]:	>55	Discharge time [s] ~:	31

Single packing ABS included

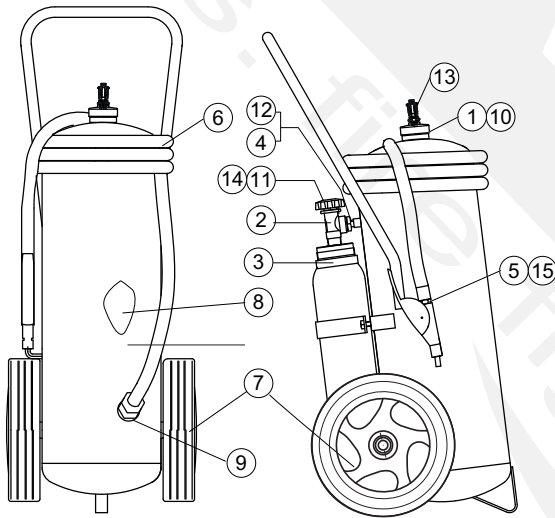


Packing on pallet available on request



Spare part list

Pos.	Description	Code	Q.ty
1	Cap G. 2"	00.180T.5000.00	1
2	Handwheel valve	00.180T.5000.03	1
3	External cartridge complete	P500.BE.0002.00	1
4	Adaptor for N ₂ cylinder	00.180T.3995.01	1
5	Plastic discharge pistol	00.170T.1940.00	1
6	Discharge hose L 5 m	00.170T.2350.09	1
7	Wheel Ø 300 mm	00.170Q.7601.00	1
8	Powder ABC MAP 30% (bag 25kg)	31130	1
9	Washer ring fibre 24x15,2x2	00.170T.7031.00	1
10	Washer rubber 56x41x3	N000.OR.000.01	1
11	Plastic seal	00.211E.3220.00	1
12	Washer ring fibre 19x11x2	00.180T.2400.OR	1
13	G. 1/4" Safety valve	00.180T.5270.00	1
14	Safety pin	00.170T.5020.00	1
15	O-ring 2.62 x 13.1	00.170T.1930.00	1
On Request			
9	Bursting disc	00.170T.2400.D2A	1



The use of non original spare parts may cause malfunctions loss

Maintenance and Guarantee

Maintenance must be made periodically by, trained and certified staff, according to the local regulations of the country where it is located. The extinguisher is guaranteed for 12 months from the date of the supply. The guarantee includes, repairing or replacement, as manufacturer option. Unit must be sent back to the factory free of charge, only when authorized written agreement with our sales office has been reached.

The guarantee expires in case of tampering and bad maintenance made by not-authorized staff, or transport damages. It must be recharged only by staff authorized and certified by a.b.s. S.r.l., use only genuine original spare parts.