



14284 Foam Wheeled It 150 Stainless steel

Approved EN 1866-1:2008, Marina MED, highest rate achieved - A IVB



CSI Certificate
MED/0497/144

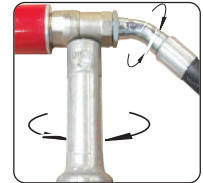


Organic solid materials,
wood rubber, textiles etc.



Flammable liquids,
gasoline, oil etc.

Swivel coupling
It allows easy unrolling
of the hose avoiding
twisting



According directive 2014/90/UE, EN 1866-1 and CE-mark

The wheeled fire extinguisher is manufactured according to Directive 2014/90/UE (MED) with modules B and D. The a.b.s. wheeled extinguisher range is one of the first in Europe to comply with this standard.

Technical Characteristics

Wheeled extinguisher is designed for professional use under severe circumstances, resulting in a high level of quality and ease of use.

The cylinder, CE marked, it has the welded frame or detachable frame.

Ease of mobility is achieved as a result of the large wheels with solid rubber tyres and push bar also ensuring good stability during operation.

Headcap 2" BSP

The headcap is made of brass and equipped with a spring loaded safety valve to prevent an unsafe situation, as a result of overfilling or during accidental unscrewing from the cylinder neck gear.

Discharge device

Equipped with a highly flexible hose made in EPDM rubber with an excellent resistance manufactured from selected synthetic materials complete with a pistol. The specially designed ergonomic patented foam nozzle ensures a steady flow of foam with a very low drop in pressure.

Propellant bottle

The carbon dioxide bottle, chromemolybdenum carbon steel, is made according to directive EN 1964-1. The cylinder is painted red RAL 3000 u.v. repellent is resistant to scratches and knocks as well to corrosive weather conditions. It is delivered complete with a brass handwheel valve and safety valve.

Extinguishing agent

Sealfire® X is the most powerful product registered by a.b.s. s.r.l. formulated for fire extinguisher. It is an additive AFFF based, specially formulated for best sealing effects.

Advantages

- Very mobile and easy to operate
- Excellent quality, therefore a long operational lifetime
- Good ergonomics, easy to drive
- Extremely high ratings on A, B fires (solid combustibles, liquid fuels)
- Can be used at low temperatures (+0°C).
On request -30°C or -20°C.
- Easy to service
- First in Europe in accordance with the new EN 1866 standards
- With CE approval
- Other Foam types available.



Cartridge operated

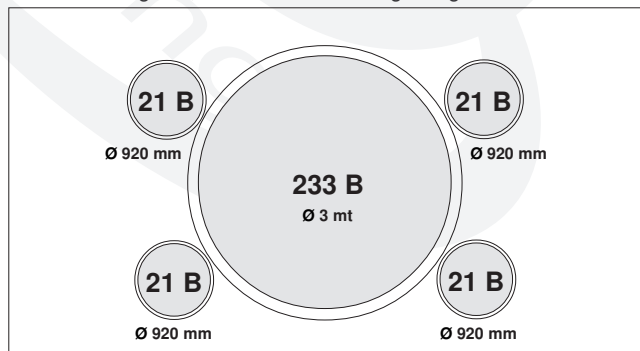


Made in Italy

Stainless Steel Cylinder

- Test method and result -

The 233B tray has been used and four 21B trays have been installed alongside, as from the following design.



The propellant used has been heptane. Two fire tests have been performed, the test result was positive.

Classification obtained: - **A- IV B** - the highest.



Technical data are subject to modification for improvements without prior notice

Data Sheet	Code	Date	Check	Rev	Pag.
Fire Extinguisher	14284	25/06/19	JC	3/AL	1/2



14284

Technical specifications

Cylinder "Ø"..... : 450 mm
Material..... : AISI 304
Operating pressure..... : 13 bar a 20 °C
Test pressure according PED..... : 26 bar
Burst pressure..... : >55 bar
Temperature range..... : +0 °C +60 °C
Extinguishing agent A.F.F.F..... : 2,5% Sealfire®X
Propellant cylinder..... : (3.2 kg CO₂)

Nominal charge..... : 150 lt
Discharge time ~..... : 150 sec
Jet length ~..... : 8 m

Dimensions

Height ~..... : 1380 mm
Width ~..... : 700 mm
Depth ~..... : 900 mm
Weight ~..... : 235 kg

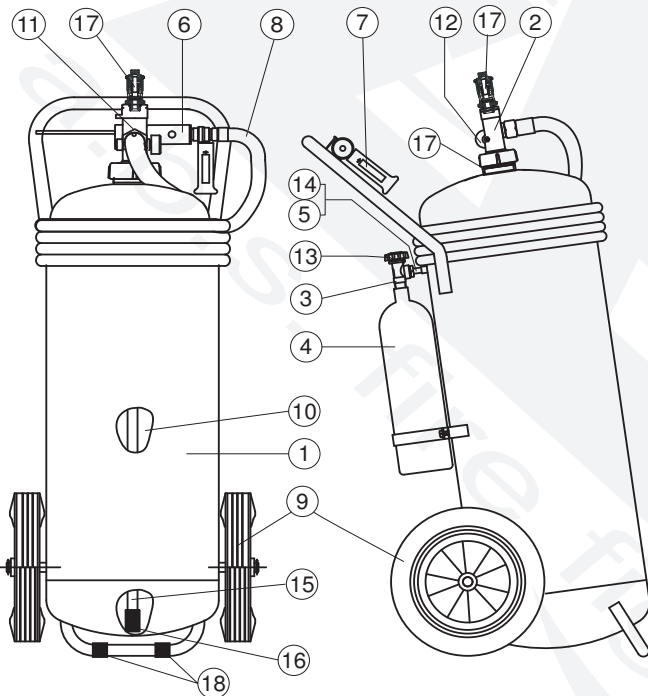
Complete replacement spare parts

31303_18 Including:

Sealfire X, 5,4 lt CO₂ cylinder, O-ring 2" and 4", washer rings, filter + coupling, safety seal.

The SOLAS Convention Chapter II-2 part C lays the obligation of the provision of replacement spare change for the 100% for the first 10 extinguishers installed, while the remaining fire extinguishers are needed the 50% of the replacement spare. The maximum quantity of refills shown are 60.

Spare part list



Pos.	Description	Code	Q.ty
1	Cylinder (lt 180) Stainless steel	27006_V	1
2	Valve G.2" with safety valve	21822	1
3	3/4" Handwheel valve	21802	1
4	5,4 lt CO ₂ cylinder T-PED	20105	1
5	Adaptor for CO ₂ cylinder	20007	1
6	Foam nozzle light alloy	21006	1
7	Trigger valve brass 3/4"	66030	1
8	Discharge hose L 5 mt On request hose L 10 mt	20649 20649_1	1
9	Ø 400 mm wheels rubber and plastic	21941	2
10	Sealfire X	21180_3	3,75 lt
11	Washer ring teflon 3/4" - 13x24x2	20049	1
12	Manometer Ø 23 Brass	21534	1
13	Safety pin	21018	1
14	Washer ring teflon 11x19x2	20021_1	1
15	Siphon tube	21730	1
16	3/4" Filter + coupling	83011 + 20024	1
17	Safety valve	28024_165PV	1
18	Cap for protection foot cylinder	28073	2
External cartridge 3.2kg CO ₂		41219	1

Detachable frame
No welding on the cylinder ensure better and higher safety.

Welded frame.
The axe and carrying handle are welded on the cylinder body.

OPTIONAL
Large cap 4" with 1/4" safety valve, vent valve, gauge.

STANDARD
2" cap with 1/4" safety valve.



The family 14284 include more than one type of version.
14284_1 - Cap 4" - Welded frame - **Stainless steel cylinder.**
14284_2 - Cap 4" - Detachable frame - **Stainless steel cylinder.**
14284_3 - 2" valve - Welded frame - Cylinder painted inside.
14284_4 - Cap 4" - Welded frame - Cylinder painted inside.
14284_5 - Cap 4" - Detachable frame - Cylinder painted inside.
14284_6 - 2" valve - Detachable frame - Cylinder painted inside.
14284_7 - 2" valve - Detachable frame - **Stainless steel cylinder.**
In accordance with the Directive 96/98/EC by the SOLAS 74 convention, resolutions and circulars of the IMO, EN 1866-1:2007 on the Annex A.1/3.52 Directive 2008/67/CE of the certificate and Notified by CSI SpA - No 0497.

The use of non original spare parts may cause malfunctions loss

Maintenance and Guarantee

Maintenance must be made periodically by, trained and certified staff, according to the local regulations of the country where it is located. The extinguisher is guaranteed for 12 months from the date of the supply. The guarantee includes, repairing or replacement, as manufacturer option. Unit must be sent back to the factory free of charge, only when authorized written agreement with our sales office has been reached. The guarantee expires in case of tampering and bad maintenance made by not-authorized staff, or transport damages. It must be recharged only by staff authorized and certified by a.b.s. S.r.l., use only genuine original spare parts.



Technical data are subject to modification for improvements without prior notice

Data Sheet	Code	Date	Check	Rev	Pag.
Fire Extinguisher	14284	25/06/19	JC	3/4L	2/2